

XE SERIES

High Accuracy Bench Scale

The XE Series Micro Balance features superior performance in a compact design. Conveniently uses either AC or Battery power.



XE Series | High Accuracy Bench Scale

FEATURES

- Application Modes
 - Weighing, Counting, Percentage, & Density
- Touchless Key Functions - Zero, Tare, and Print with simple hand gestures
- Easy to Read 1" LCD Display w/Orange Backlight
- Battery or AC Powered
- Compact design



▲ XE-300H



Keypad and Display



Rear View of the XE Series

What's Included:

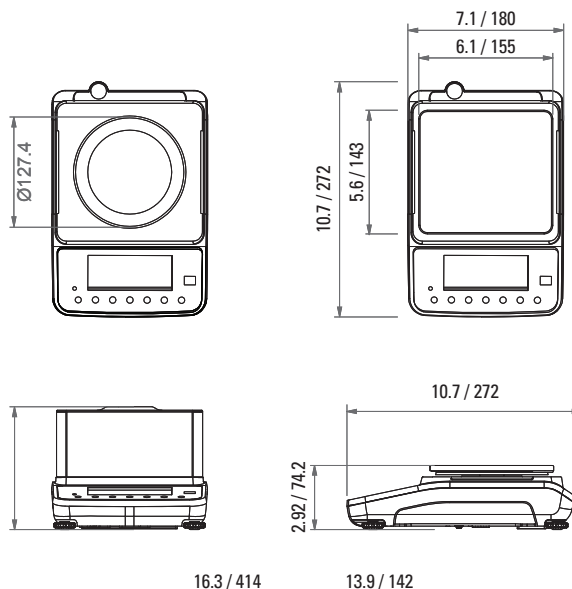
- Balance
- Power Adapter
- Manual
- NiMH Rechargeable Battery
- USB Cable
- Windshield

SPECIFICATIONS

Model	XE-300H	XE-600H	XE-3000H
Capacity	300 x 0.005 g	600 x 0.01 g	3,000 x 0.05 g
External Resolution	1/30,000 ~ 1/75,000		
Units	g, ct, lb, oz, GN, ozt, dwt		
Display	6 and Half Digits w/ Orange Backlight		
Zero Range	<=+2% of Full Capacity		
Tare Range	Full Capacity		
Stabilization Time	<= 2 Seconds		
Interface	RS232 & USB Output		
Power	AC/DC Adapter 12V/1,000 mA & Rechargeable Battery or Dry Cell Battery		
Operating Temp	5°C ~ 40°C / 41°F ~ 104°F <=90% Relative Humidity, non-condensing		
Scale Dimensions	10.7" (L) x 6.3" (W) x 3.15" (H) 272 mm (L) x 160 mm (W) x 80 mm (H)		
Platter Dimensions	XE-300H/600H: Ø 5.04"/128 mm XE-3000H: 11.9" (L) x 13.9" (W) / 302 mm (L) x 353 mm (W)		
Warranty	2 Years		
Product Weight	3 lbs / 1.4 kg		

DIMENSIONS

Unit: Inch/mm



CAS

99 Murray Hill Parkway
East Rutherford, NJ 07073
TEL: (201) 933-9002
FAX: (201) 933-9025
<http://www.cas-usa.com>

Specifications are subject to change for improvement without prior notice.