

CAS^{03M} SERIES

Tank Mount

- Perfect for medium to high capacity weighing systems, including tank, hopper, vehicle, and rail track scales
- Capacities ranging from 5,000 lbs to 250,000 lbs
- Mild steel, stainless steel, or hybrid construction
- Maximum flexibility in applications involving agitation, vibration, and expansion & contraction.
- Self-checking movement
- Easy load cell installation and replacement



CAS

www.cas-usa.com

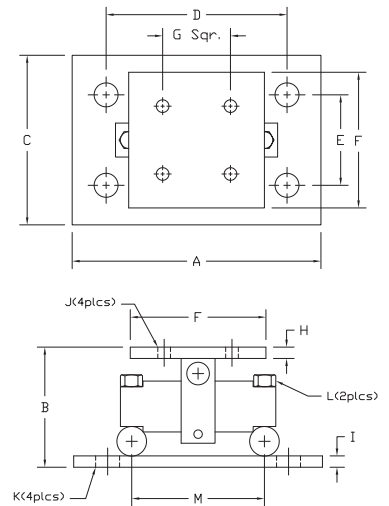
CAS^{03M} SERIES | Tank Mount

DIMENSIONS

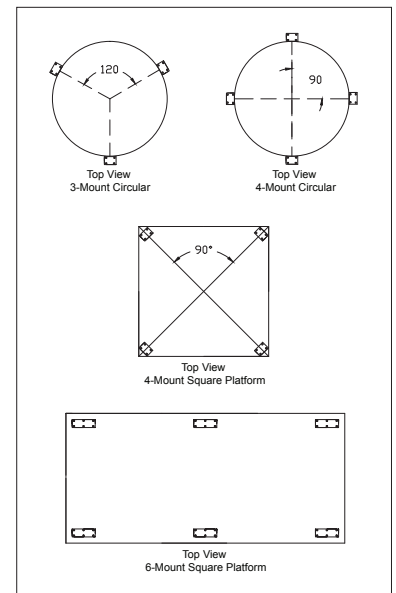
Rated Capacity	Dimensions												
	A	B	C	D	E	F	G	H	I	J	K	L	M
5K - 20K	11.00	5.31	7.50	8.00	4.00	6.00	3.00	0.50	0.75	0.56	1.06	5/8 - 18UNF	6.87
30K - 60K	15.00	8.43	10.00	11.50	6.00	8.00	5.12	0.75	1.00	0.68	1.19	1 - 14UNF	8.50
100K	18.00	10.37	12.00	14.00	9.00	10.00	7.50	1.25	1.25	0.81	1.38	1 - 14UNF	9.50
150K	18.00	10.37	12.00	14.00	9.00	10.00	7.50	1.25	1.25	0.81	1.38	1 - 14UNF	9.50
200K - 250K	26.00	16.75	12.00	20.00	6.00	12.00	9.00	2.00	2.00	1.06	1.88	1 1/2 - 12UNF	13.00

LOAD CELLS - CAS-5103L, CAS-5103LW

Specifications			
Rated Output (mV/V)	3.00 +/- 0.1%	Excitation Voltage	10V AC/DC (20V Max)
Nonlinearity	+/- 0.03% FS	Compensated Temp. Range	-10°C - +40°C
Hysteresis	+/- 0.02% FS	Operating Temp. Range	-20°C - +60°C
Repeatability	+/- 0.01% FS	Safe Overload	150% FS
Creep (30 minutes)	+/- 0.02% FS	Cable Length	CAS-5103L: 60' Braided Shield Cable CAS-5103LW: 50' Braided Shield Cable
Zero Balance	+/- 1.00% FS	Cable Color Code	
Temp. Effect on Zero	+/- 0.0027% of rated output/°C	Input	Green +Excitation Black -Excitation
Temp. Effect on Output	+/- 0.0015% of applied output/°C		Output
Input Impedance	700 +/- 10 ohms	Approvals	
Output Impedance	700 +/- 5 ohms		
Insulation Resistance	5000 Megohms		
Seal Type	CAS-5103L	Environmentally-Sealed, IP 67	
	CAS-5103LW	Stainless Steel Welded	



APPLICATION



Models

Alloy Steel Load Cell with Mild Steel Mount				Stainless Steel Welded Load Cell with Mild Steel Mount	
Model #	Capacity	Model #	Capacity	Model #	Capacity
CAS-03M-5M	5K	CAS-03M-60M	60K	CAS-03MS-10M*	10K
CAS-03M-10M	10K	CAS-03M-100M	100K	CAS-03MS-20M*	20K
CAS-03M-20M	20K	CAS-03M-150M	150K	CAS-03MS-30M*	30K
CAS-03M-30M	30K	CAS-03M-200M	200K	CAS-03MS-40M*	40K
CAS-03M-40M	40K	CAS-03M-250M	250K	CAS-03MS-50M*	50K
CAS-03M-50M	50K			CAS-03MS-60M*	60K

Stainless Steel Welded Load Cell with Stainless Steel Mount					
Model #	Capacity	Model #	Capacity	Model #	Capacity
CAS-03MW-10M*	10K	CAS-03MW-30M*	30K	CAS-03MW-50M*	50K
CAS-03MW-20M*	20K	CAS-03MW-40M*	40K	CAS-03MW-60M*	60K

*Non-NTEP



99 Murray Hill Parkway
East Rutherford, NJ 07073

TEL: (201) 933-9002

FAX: (201) 933-9025

http://www.cas-usa.com

Specifications are subject to change for improvement without prior notice.