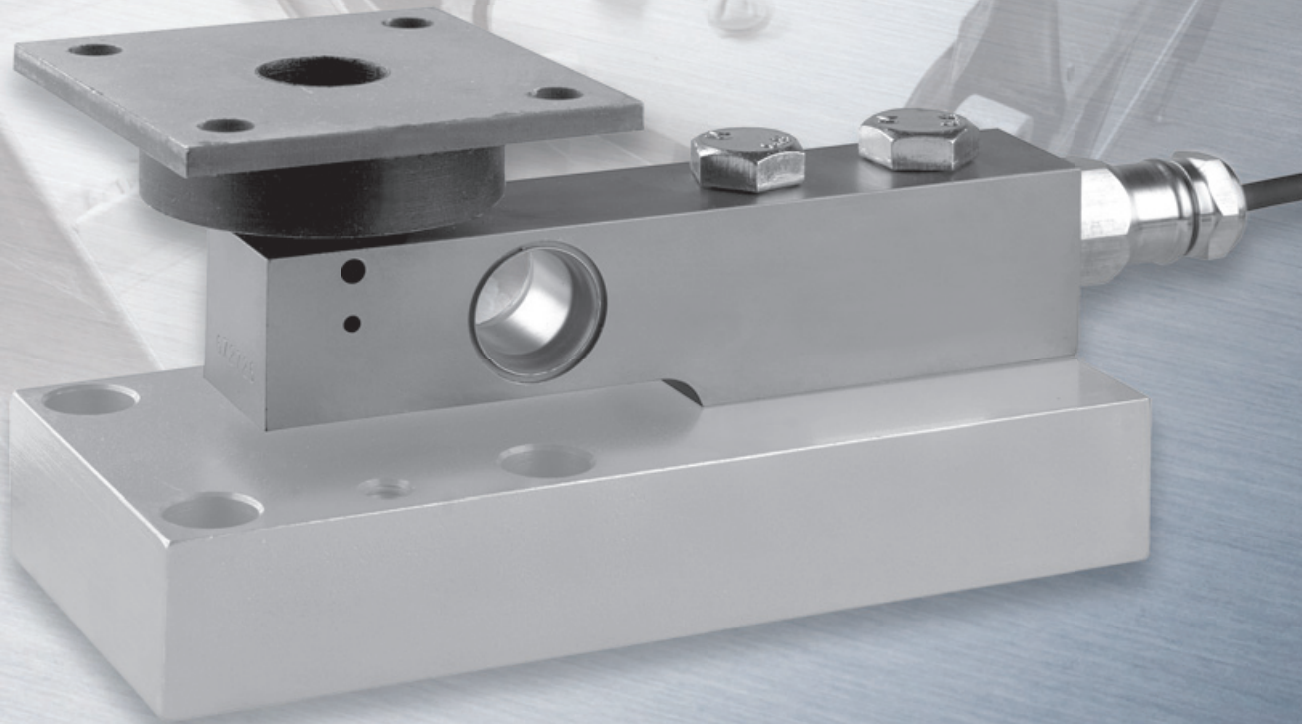


CAS⁵²⁰⁵ SERIES

Tank Mount

- Designed for light to medium capacity hopper, mixture, and platform scales
- Capacities ranging from 1,125 lbs to 4,500 lbs
- Stainless steel load cell with complete hermetic seal IP68/69K rated
- Stainless steel construction with neoprene isolation pad
- Self aligning - low profile design



CAS

www.cas-usa.com

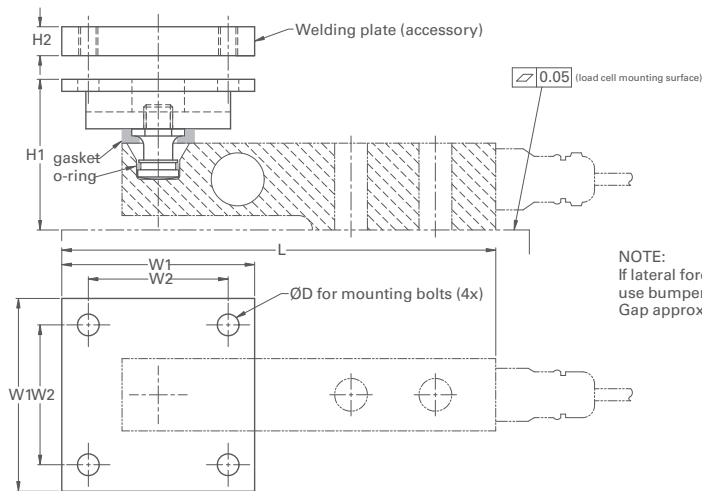
CAS⁵²⁰⁵ SERIES | Tank Mount

DIMENSIONS

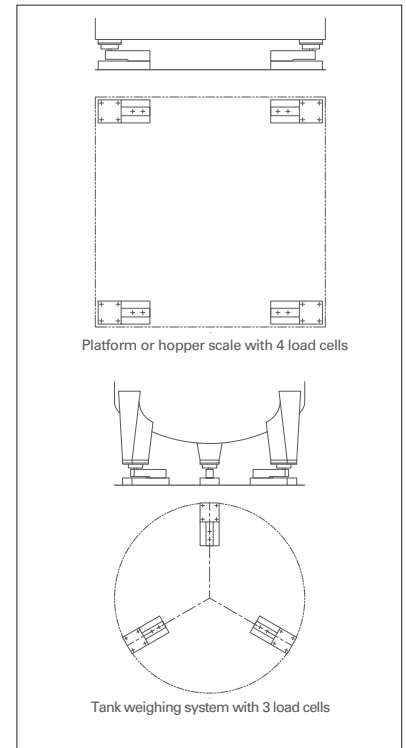
Load Cell Type	Dimensions (inches)							
	L	H1	H2	W1	W2	Mounting bolts D	S _{max} **	RF***
SB4-1125/2250/4500 lbs	7.08	2.48	.47	3.15	2.28	M8	5 mm	1600 N

** S_{max} = maximum lateral displacement of load introduction

*** RF = restoring force at S_{max}



APPLICATION



LOAD CELLS - CAS-SB4

Specifications				
Combined Error	≤ +/- 0.0500%*RO	Excitation Voltage	5...15 V	
Rated Output (mV/V)	2.00 +/- 0.1%	Compensated Temp. Range	-10°C... +40°C	
Nonlinearity	≤ +/- 0.0400%*RO	Operating Temp. Range	-40°C... +80°C (ATEX -40°C... +60°C)	
Hysteresis	≤ +/- 0.0400%*RO	Safe Load Limit	200%*E _{max}	
Creep Error (30 minutes)	≤ +/- 0.0600%*RO	Ultimate Load	300%*E _{max}	
Zero Balance	≤ +/- 5%*RO	Safe Side Load	100%*E _{max}	
Temp. Effect on Min. Dead Load Output	≤ +/- 0.0400%*RO / 10°C	Shielded, 4 Conductor Cable, Jacket - Polyurethane		
Temp. Effect on Sensitivity	≤ +/- 0.0200%*RO / 10°C	Cable Length		
Input Resistance	1 100 +/- 50 ohms	3m (1125/2250/4500 lbs)		
Output Resistance	1 000 +/- 2 ohms	4.5m (11250 lbs)		
Insulation Resistance	≥ 5000 Megohms	Cable Color Code	Input	
Seal Type	Complete Hermetic Sealing, IP68 (up to 2m water depth)/IP69K		Output	Green +Excitation
				Black -Excitation
			White +Signal	
			Red -Signal	
			Yellow Shield	
		Approvals	NTEP	
			FM	

Models

Stainless Steel Load Cell with Stainless Steel Mount	
Model #	Capacity
CAS-5205-1M	1125 lbs
CAS-5205-2M	2250 lbs
CAS-5205-4M	4500 lbs

Kits Available

3 Mount or 4 Mount Kits available. Kits will include the CAS SS34AS NEMA 4X Stainless Steel Junction Box with 4 cell signal trim summing card and 25' of cable.

CAS

99 Murray Hill Parkway
East Rutherford, NJ 07073
TEL: (201) 933-9002
FAX: (201) 933-9025
<http://www.cas-usa.com>

Specifications are subject to change for improvement without prior notice.