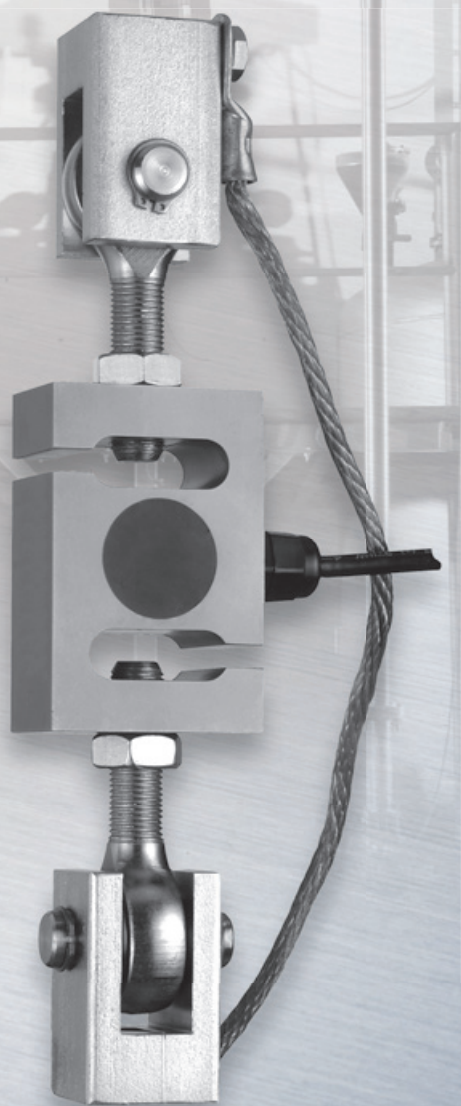


CAS^{5304LB} SERIES

Isolated Tension Mount

- Designed for mechanical conversions, hanging hoppers and bins
- Capacities ranging from 220 lbs to 11,000 lbs
- Stainless steel load cell - IP67 rated
- Galvanized & stainless steel assemblies
- Easy to install



CAS

www.cas-usa.com

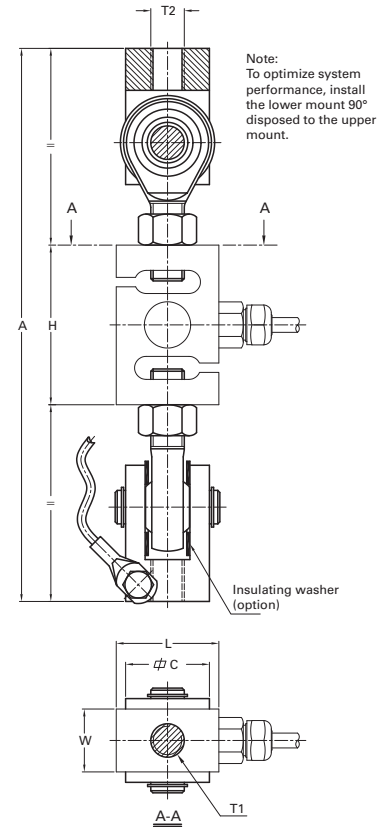
CAS^{5304LB} SERIES | Isolated Tension Mount

DIMENSIONS

Load Cell Type	H	L	W	A	C	T1	T2	Max. safe static load in lbs
	ULB-220/440/1100 lbs	3.0	1.9	1.2	8.7	1.2	M12	
ULB-2200 lbs	3.0	1.9	1.2	10.4	1.6	M16	M16	4500
ULB-4400 lbs	3.4	3.0	1.2	10.6	1.6	M16	M16	6750
ULB-6600 lbs	3.5	3.5	1.6	12.2	2.0	M20x1.5	M20	10100
ULB-11000 lbs	5.7	3.6	2.2	16.5	2.4	M24x2	M24	16860

LOAD CELLS - CAS-ULB

Specifications			
Combined Error	≤ +/- 0.0500%*RO	Excitation Voltage	5...15 V
Rated Output (mV/V)	2.00 +/- 0.1%	Compensated Temp. Range	-10°C... +40°C
Nonlinearity	≤ +/- 0.0400%*RO	Operating Temp. Range	-20°C... +65°C (ATEX -20°C... +60°C)
Hysteresis	≤ +/- 0.0400%*RO	Safe Load Limit	200%*Emax
Creep Error (30 minutes)	≤ +/- 0.0600%*RO	Ultimate Load	300%*Emax
Zero Balance	≤ +/- 5%*RO	Cable Length	
Temp. Effect on Min. Dead Load Output	≤ +/- 0.0400%*RO / 10°C	6m, Shielded, 4 Conductor Cable, Cable Jacket - Polyurethane	
		Cable Color Code	
Temp. Effect on Sensitivity	≤ +/- 0.0200%*RO / 10°C	Input	Green +Excitation
Input Resistance	1 100 +/- 50 ohms		Black -Excitation
Output Resistance	1 000 +/- 2 ohms	Output	White +Signal
Insulation Resistance	≥ 5000 Megohms		Red -Signal
Seal Type	Potted, IP67		Yellow Shield
		Approvals	NTEP (Load Cell Only): 07-065
			FM



Kits Available

3 Mount or 4 Mount Kits available. Kits will include the CAS SS34AS NEMA 4X Stainless Steel Junction Box with 4 cell signal trim summing card and 25' of cable.

Models

Stainless Steel Load Cell with Galvanized Steel Mount		Stainless Steel Load Cell with Stainless Steel Mount	
Model #	Capacity	Model #	Capacity
CAS-5304LB-2L	220 lbs	CAS-5304LBS-2L	220 lbs
CAS-5304LB-4L	440 lbs	CAS-5304LBS-4L	440 lbs
CAS-5304LB-1M	1100 lbs	CAS-5304LBS-1M	1100 lbs
CAS-5304LB-2M	2200 lbs	CAS-5304LBS-2M	2200 lbs
CAS-5304LB-4M	4400 lbs	CAS-5304LBS-4M	4400 lbs
CAS-5304LB-6M	6600 lbs	CAS-5304LBS-6M	6600 lbs
CAS-5304LB-11M	11000 lbs	CAS-5304LBS-11M	11000 lbs



99 Murray Hill Parkway
East Rutherford, NJ 07073
TEL: (201) 933-9002
FAX: (201) 933-9025
<http://www.cas-usa.com>

Specifications are subject to change for improvement without prior notice.