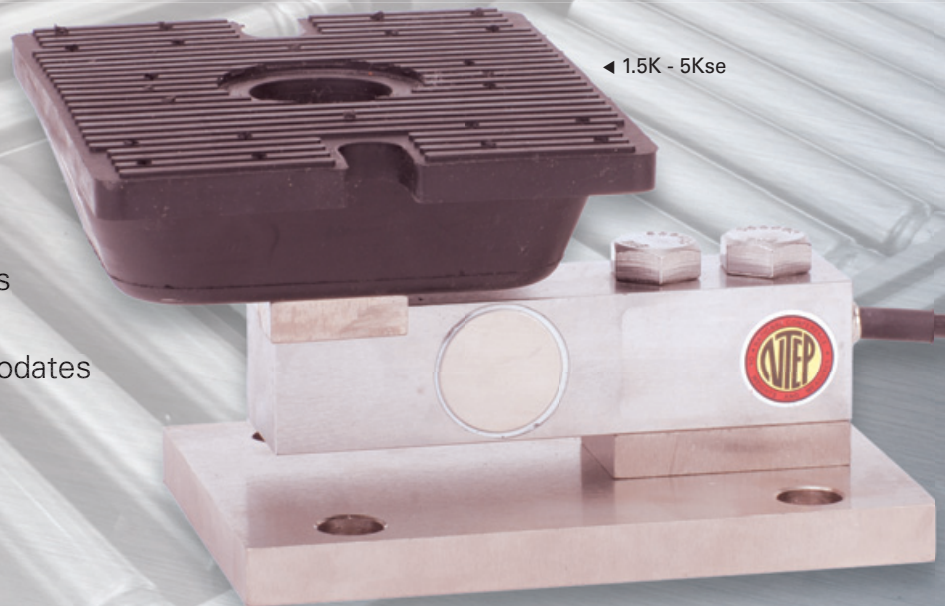
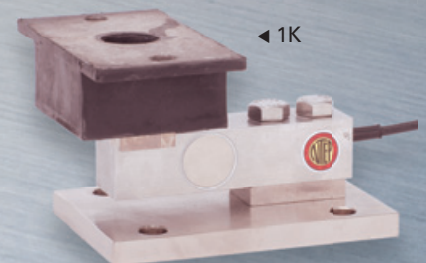
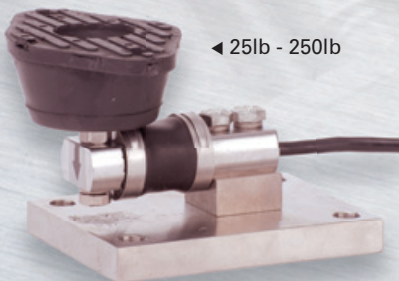


CAS^{59M} SERIES

Tank Mount

- Designed for use in light to medium capacity tanks, bin, hoppers, and conveyors
- Capacities ranging from 25 lbs to 5,000 lbs
- Mild steel or stainless steel construction
- Ideal for indoor or outdoor process control applications
- Neoprene isolation pads accommodates vibration, thermal expansion and alignment
- Easy to install
- Dynamic load compensation



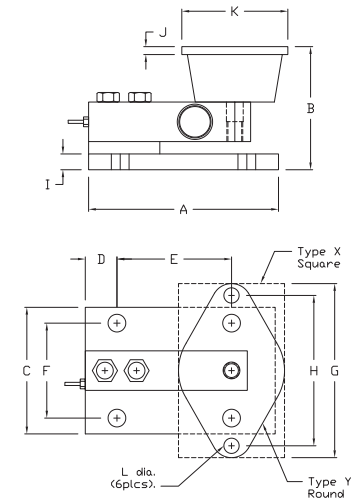
CAS^{59M} SERIES | Tank Mount

DIMENSIONS

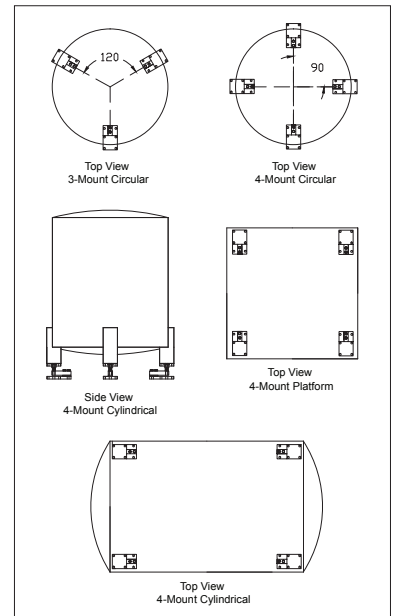
Rated Capacity	Dimensions												
	A	B	C	D	E	F	G	H	I	J	K	L	M
25lb - 250lb	4.00	3.13	3.00	0.37	3.25	2.25	3.88	3.00	0.50	0.22	2.38	0.34	Y
500lb	6.00	3.88	4.00	1.00	4.00	3.00	5.50	4.13	0.50	0.25	3.38	0.56	Y
1K	6.00	4.00	4.00	1.00	4.00	3.00	5.13	4.13	0.50	0.25	3.00	0.56	X
1.5K - 2.5K	6.00	4.00	4.00	1.00	4.00	3.00	6.25	5.00	0.50	0.38	4.62	0.56	X
4K - 5Kse	6.00	4.50	4.00	1.00	4.00	3.00	6.25	5.00	1.00	0.38	4.62	0.56	X

LOAD CELLS - CAS-60040, CAS-23LA, CAS-23LS, CAS-23LW2, CAS-23LW3

Specifications			
Rated Output (mV/V)	3.00 +/- 0.1%	Insulation Resistance	5000 Megohms
	2.00 +/- 0.1% (CAS23-SSW-02)		Excitation Voltage
Nonlinearity	+/- 0.03% FS	Compensated Temp. Range	-10°C - +40°C
Hysteresis	+/- 0.02% FS	Operating Temp. Range	-20°C - +60°C
Repeatability	+/- 0.01% FS	Safe Overload	150% FS
Creep (30 minutes)	+/- 0.02% FS	Cable Length	CAS-23 20' Standard Cable
Zero Balance	+/- 1.00% FS		CAS-60040 30' Standard Cable
Temp. Effect on Zero	+/- 0.0027% of rated output/°C	Cable Color Code	
Temp. Effect on Output	+/- 0.0015% of applied output/°C	Input	Green +Excitation
Input Impedance	385 +/- 10 ohms		Black -Excitation
Output Impedance	350 +/- 3 ohms	Output	White +Signal
			Red -Signal
Seal Type	CAS-23/23LS	Environmentally-Sealed, IP 67	Approvals
	CAS-23LW2/LW3	Welded-Seal, IP 67	
	CAS-60040	Environmentally-Sealed, IP 65	
			NTEP (Load Cell Only): 08-099
			FM



APPLICATION



Models

Alloy Steel Load Cell with Stainless Steel Mount		Stainless Steel Load Cell with Stainless Steel Mount			
Model #	Capacity	Model #	Capacity	Model #	Capacity
CAS-59M-500L	250 lb	CAS-59MS-25L*	25 lb	CAS-59MS-1M	1K
CAS-59M-1M	1K	CAS-59MS-50L*	50 lb	CAS-59MS-1AM	1.5K
CAS-59M-1AM	1.5K	CAS-59MS-75L*	75 lb	CAS-59MS-2M	2K
CAS-59M-2M	2K	CAS-59MS-100L*	100 lb	CAS-59MS-2AM	2.5K
CAS-59M-2AM	2.5K	CAS-59MS-150L*	150 lb	CAS-59MS-4M	4K
CAS-59M-4M	4K	CAS-59MS-250L*	250 lb	CAS-59MS-5M	5K
CAS-59M-5M	5K	CAS-59MS-500L	500 lb	*Non-NTEP - Uses CAS-60040	

Stainless Steel Welded Load Cell** with Stainless Steel Mount

Model #	Capacity	Model #	Capacity	Model #	Capacity
CAS-59MW-500L	1K	CAS-59MW-2AM	2.5K	CAS-59MW-5M	5K
CAS-59MW-1M	2K	CAS-59MW-4M	4K		

** Uses CAS-23LW2 (2mv/v) or CAS-23LW3 (3mv/v)



99 Murray Hill Parkway
East Rutherford, NJ 07073
TEL: (201) 933-9002
FAX: (201) 933-9025
http://www.cas-usa.com

Specifications are subject to change for improvement without prior notice.