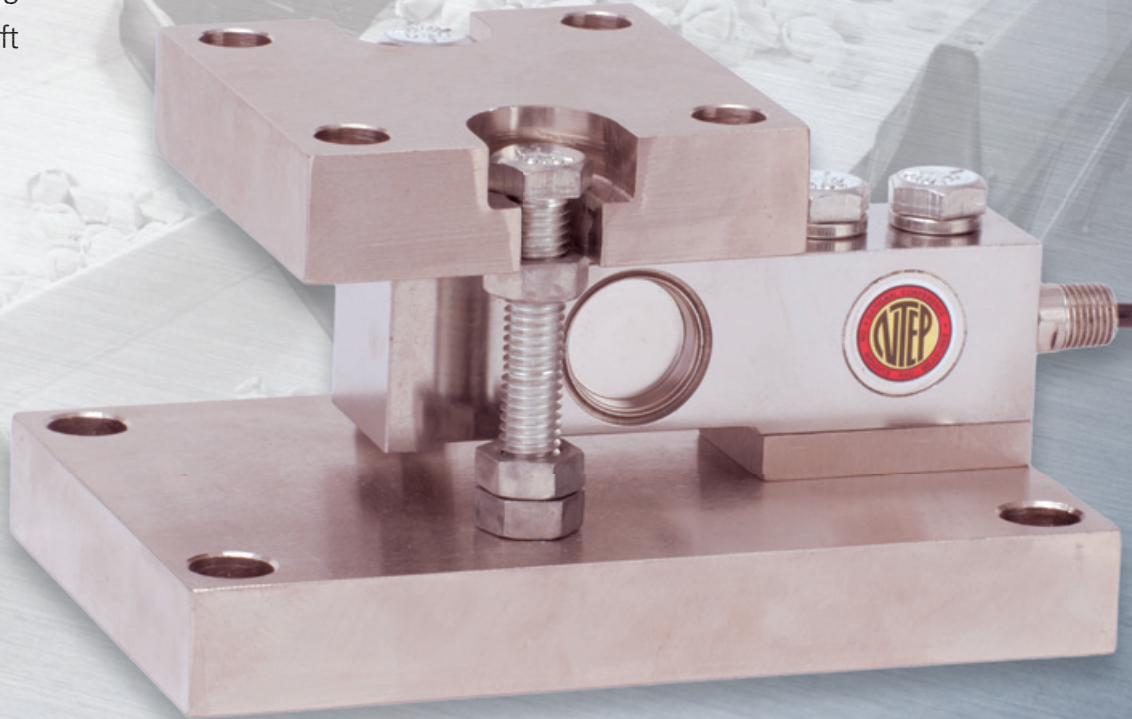


CAS^{RTM} SERIES

Tank Mount

- Ideal for tank, bin, and hopper weighing
- Capacities ranging from 500 lbs to 10,000 lbs
- Unequaled repeatability. Expands & contracts due to thermal changes
- All stainless steel construction
- Hermetically sealed welded cap - IP67 rated
- Rocker pin mounting
- Overload and overlift protection



CAS

www.cas-usa.com

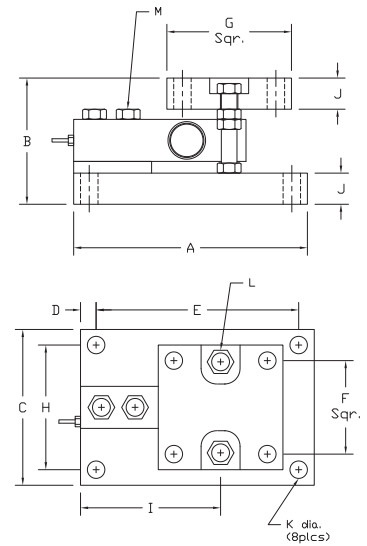
CAS^{RTM} SERIES | Tank Mount

DIMENSIONS

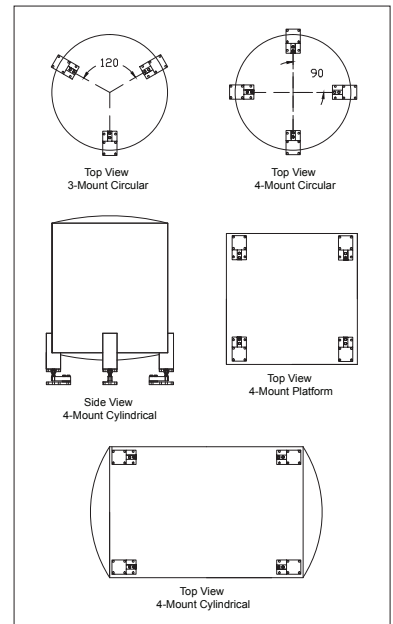
Rated Capacity	Dimensions												
	A	B	C	D	E	F	G	H	I	J	K	L	M
500lbs - 2.5K	7.50	3.78	5.00	0.50	6.50	3.00	4.00	4.00	4.50	1.00	0.56	1/2 - 13UNC	1/2 - 13UNC
4K	7.50	3.94	5.00	0.50	6.50	3.00	4.00	4.00	4.50	1.00	0.56	1/2 - 13UNC	1/2 - 13UNC
5K	7.50	4.03	5.00	0.50	6.50	3.00	4.00	4.00	4.50	1.00	0.56	1/2 - 13UNC	1/2 - 13UNC
10K	8.50	4.28	5.00	0.50	7.50	3.00	4.00	4.00	6.00	1.00	0.56	1/2 - 13UNC	3/4 - 10UNC

LOAD CELL - CAS-745

Specifications			
Rated Output (mV/V)	2.00 +/- 0.1%	Excitation Voltage	10V AC/DC (20V Max)
Nonlinearity	+/- 0.03% FS	Compensated Temp. Range	-10°C - +40°C
Hysteresis	+/- 0.02% FS	Operating Temp. Range	-20°C - +60°C
Repeatability	+/- 0.01% FS	Safe Overload	150% FS
Creep (30 minutes)	+/- 0.02% FS	Cable Length	30' Standard Cable
Zero Balance	+/- 1.00% FS	Cable Color Code	
Temp. Effect on Zero	+/- 0.0027% of rated output/°C	Input	Green +Excitation
Temp. Effect on Output	+/- 0.0015% of applied output/°C		Black -Excitation
Input Impedance	385 +/- 10 ohms	Output	White +Signal
Output Impedance	350 +/- 3 ohms		Red -Signal
Insulation Resistance	5000 Megohms	Approvals	NTEP (Load Cell Only): 08-099
Seal Type	Environmentally-Sealed, IP 67		FM



APPLICATION



Models

Stainless Steel Load Cell with Stainless Steel Mount			
Model #	Capacity	Model #	Capacity
CAS-RTM-500L	500 lb	CAS-RTM-4M	4K
CAS-RTM-1M	1K	CAS-RTM-5M	5K
CAS-RTM-1AM	1.25K	CAS-RTM-10M	10K
CAS-RTM-2AM	2.5K		

Kits Available

3 Mount or 4 Mount Kits available. Kits will include the CAS SS34AS NEMA 4X Stainless Steel Junction Box with 4 cell signal trim summing card and 25' of cable.



99 Murray Hill Parkway
East Rutherford, NJ 07073

TEL: (201) 933-9002

FAX: (201) 933-9025

<http://www.cas-usa.com>

Specifications are subject to change for improvement without prior notice.