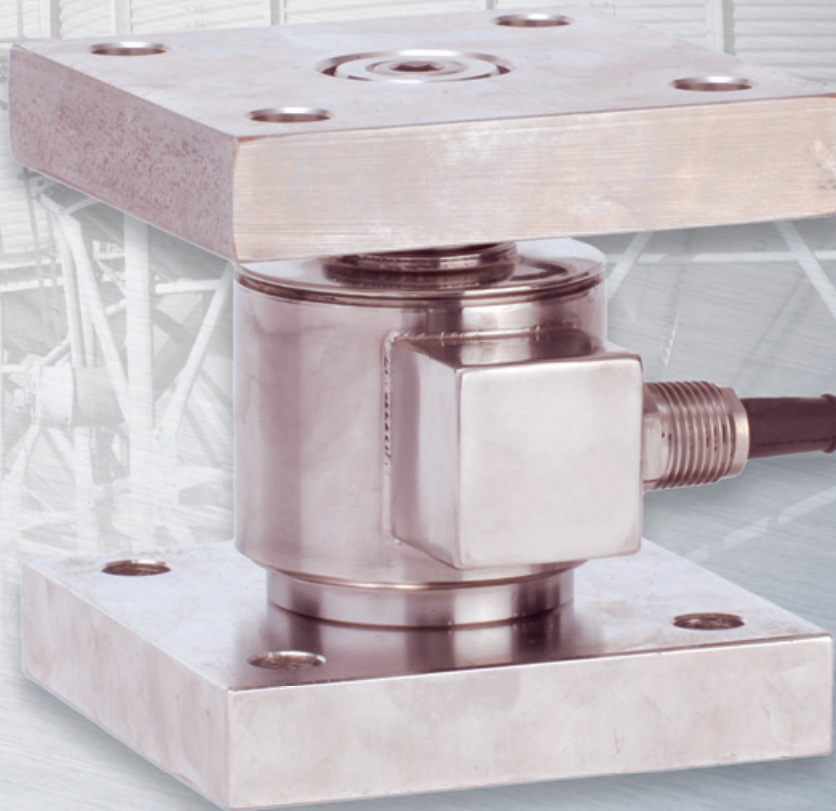


CAS^{SP9M} SERIES

Tank Mount

- Use with storage silos, bins, and tanks
- Hermetically sealed canister load cell with two attached mounting plates
- All stainless steel construction
- Capacities ranging from 1,000 lbs to 250,000 lbs



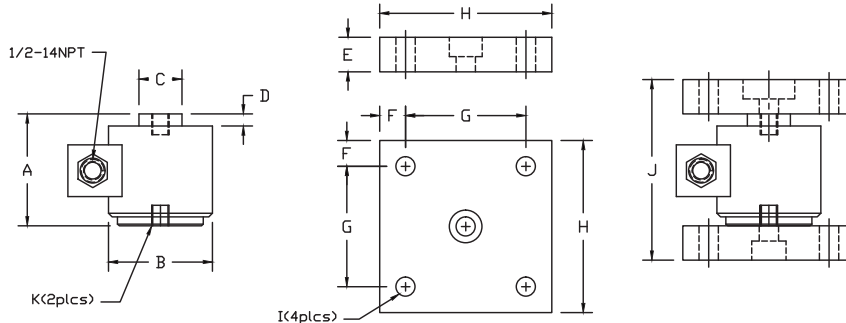
CAS

www.cas-usa.com

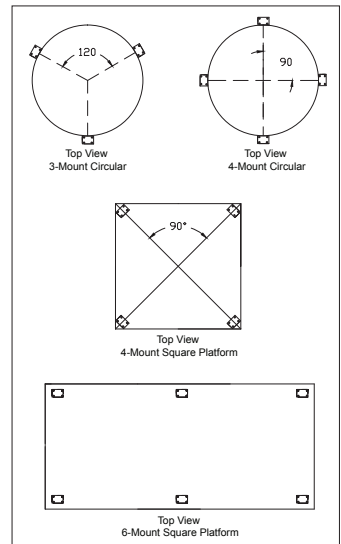
CAS^{SP9M} SERIES | Tank Mount

DIMENSIONS

Rated Capacity	Dimensions					Rated Capacity	Dimensions					
	A	B	C	D	K		E	F	G	H	I	J
1K - 50K	3.25	3.00	1.25	0.35	1/2 - 20UNF x .50	1K - 5K w/5" Plates	1.00	0.75	3.50	5.00	0.56	5.25
100K	5.00	4.00	2.31	0.55	1/2 - 20UNF x .50	10K - 50K w/8" Plates	1.00	1.00	6.00	8.00	0.62	5.25
150K - 200K	7.25	6.00	3.00	1.10	1/2 - 20UNF x .50	100K w/8" Plates	1.00	1.00	6.00	8.00	0.62	7.00
						150K - 250K w/8" Plates	1.00	1.00	6.00	8.00	0.62	9.25



APPLICATION



LOAD CELL - CAS-SP9

Specifications			
Full Scale Output (mV/V)	2.00	Safe Overload	150% FS
Load Cell Resistance	350 ohms	Excitation Voltage	10V AC/DC (15V Max)
Load Cell Cable	4 Conductor, 30'	Operating Temp. Range	-10°C - +40°C
Load Cell Material	Stainless Steel	Assembly Material	Stainless Steel
		Approvals	FM

Models

Stainless Steel Load Cell with Stainless Steel Mount					
Model #	Capacity	Plates	Model #	Capacity	Plates
CAS-SP9M5-1M	1K	5"	CAS-SP9M8-5M	5K	8"
CAS-SP9M5-2M	2K	5"	CAS-SP9M8-10M	10K	8"
CAS-SP9M5-5M	5K	5"	CAS-SP9M8-20M	20K	8"
CAS-SP9M5-10M	10k	5"	CAS-SP9M8-25M	25k	8"
CAS-SP9M5-20M	20k	5"	CAS-SP9M8-50M	50K	8"
CAS-SP9M5-25M	25K	5"	CAS-SP9M8-100M	100K	8"
CAS-SP9M5-50M	50K	5"	CAS-SP9M8-150M	150K	8"
CAS-SP9M5-100M	100k	5"	CAS-SP9M8-200M	200K	8"
CAS-SP9M8-1M	1K	8"	CAS-SP9M8-250M	250K	8"
CAS-SP9M8-2M	2K	8"			

Kits Available

3 Mount or 4 Mount Kits available. Kits will include the CAS SS34AS NEMA 4X Stainless Steel Junction Box with 4 cell signal trim summing card and 25' of cable.



99 Murray Hill Parkway
East Rutherford, NJ 07073
TEL: (201) 933-9002
FAX: (201) 933-9025
<http://www.cas-usa.com>

Specifications are subject to change for improvement without prior notice.